

GENUINE GRACO PARTS AND ACCESSORIES



Seal Repair Kit

for T2 2:1 Ratio Transfer Pump

407005A

247883 Lower Seal Kit

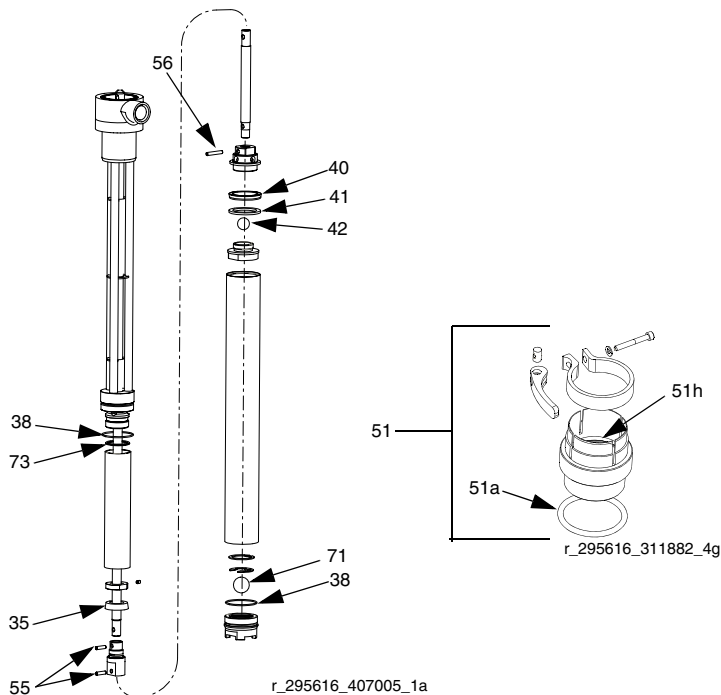
ENG



Important Safety Instructions

Read all warnings and instructions in manual 311882.
Save those instructions.

Ref.	Description	Qty.
35	PACKING, piston cup	1
38	O-RING	2
40	PACKING, u-cup, PTFE	1
41	RING; wear	1
42	BALL; outlet	1
51a	O-RING; O.D.	1
51h	O-RING; inner (brown)	1
55	PIN; straight, 3/16 x 3/4	2
56	PIN; straight, 3/16 x 1-1/4	1
71	BALL; intake	1
73	O-RING	1



Graco Inc. P.O. Box 1441 Minneapolis, MN 55440-1441

406704 Rev, A 01/2010 Original instructions.

Copyright 2010, Graco Inc. is registered to ISO 9001



H003